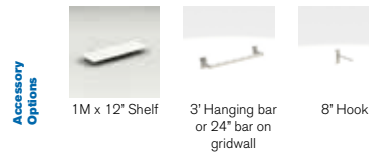
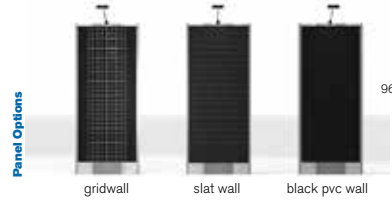
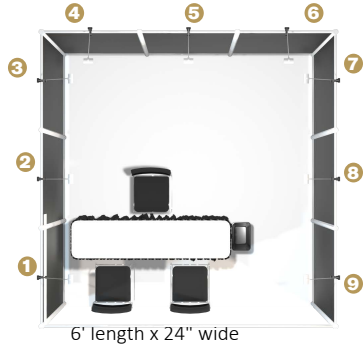
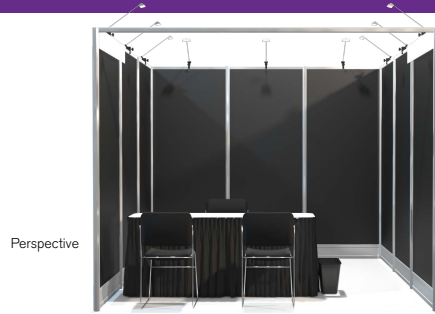


10' x 10'

hard panel booth

Willwork
Global Event Services

ALTITUDE
— INTIMATES —



1 9" x 12" Exhibitor ID sign

#1

#2

Your 10' x 10' Package includes the items listed below.

- (1) Hard Wall Booth
- (2) Company ID Booth Signs
- (1) Draped Table (Black)
- (3) Side Chairs
- ***(12) Shelves OR (12)Hanging Bars OR (24) Hooks**
- (1) Wastebasket

If additional items are needed, please check the box of the package option you would like to add.

Add-On Packages

Package 1 \$315 + tax
choose one:

Package 2 \$525 + tax
choose one:

THIS IS AN INTERACTIVE PDF.

Please open the file in Adobe Acrobat to complete all fillable fields.

Save file as: "YOUR COMPANY NAME_Altitude Booth"

Submit saved forms to: https://proofing.willwork.com/forms/Altitude_BoothDesign

Submit Graphic Artwork Files to: https://proofing.willwork.com/forms/Altitude_Graphics

Form must be submitted by no later than November 6, 2026*

Questions please contact: exhibitorservices@willwork.com

2 Choose the panel types and accessories.

Indicate your panel type and accessory choice for each numbered panel. Please include the accessory type quantity and add the total amounts at the bottom.*

**If no Panel Type choice is made, the default material will be Black PVC. If you have an end cap or corner booth and would like to remove the wall, please select "Remove" for each panel on that wall.*

Panel #	Panel Type	Accessory Type & Qty.
---------	------------	-----------------------

- 1
- 2
- 3
- 4
- 5
- 6
- 7
- 8
- 9

Shelf Hanging Bar Hook

Number of tables

Number of chairs

***Please Note:**

Failure to submit form on time will result in the following late fee schedule:

November 7 - November 20 = \$ 250

November 21 - December 4 = \$350

Decemebr 5 - December 24 = \$ 450

December 25 - Move in = \$ 650

3 Confirm Package Choices.

Check that all fillable fields are completed. Print, sign, and date this form.

_____	_____
Print Name	Signature
_____	_____
Company Name	Booth Number Date

4 Any Additional Comments: